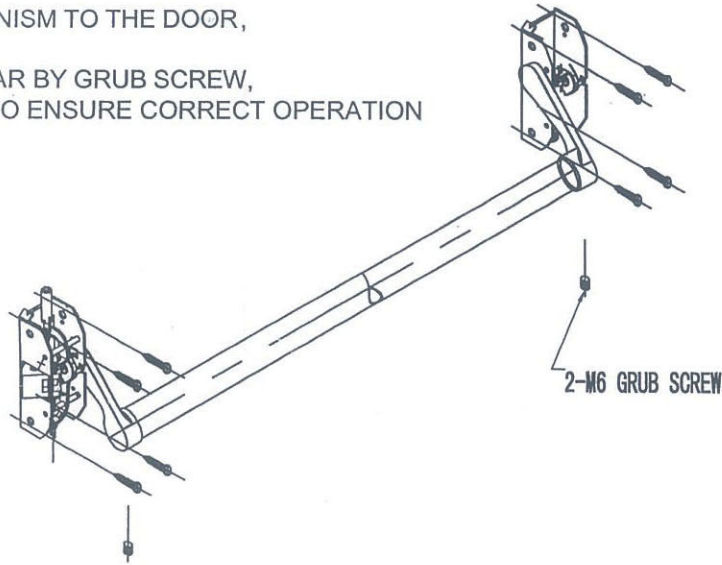


## HARDWARE INSTALLATION

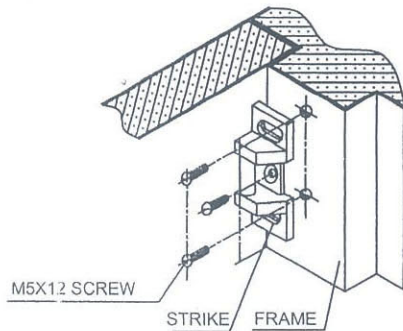
1) IF USING OUTSIDE TRIM OR SEXBOLTS, MOUNT TRIM PER DIRECTIONS IN TRIM BOX, OR INSTALL OUTSIDE SEX BOLTS.

2) INSTALL MECHANISM TO THE DOOR,

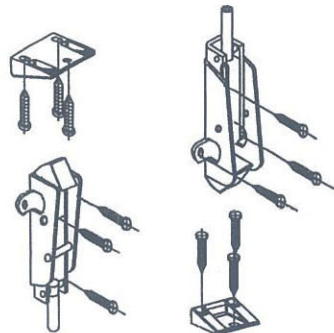
3) FIX THE PUSH BAR BY GRUB SCREW,  
TEST THE UNIT TO ENSURE CORRECT OPERATION



4) INSTALL STRIKE. CHECK THAT DEVICE OPERATES SMOOTHLY AND THAT LATCH BOLT ENGAGES SECURELY. TEST THE UNIT TO ENSURE CORRECT OPERATION



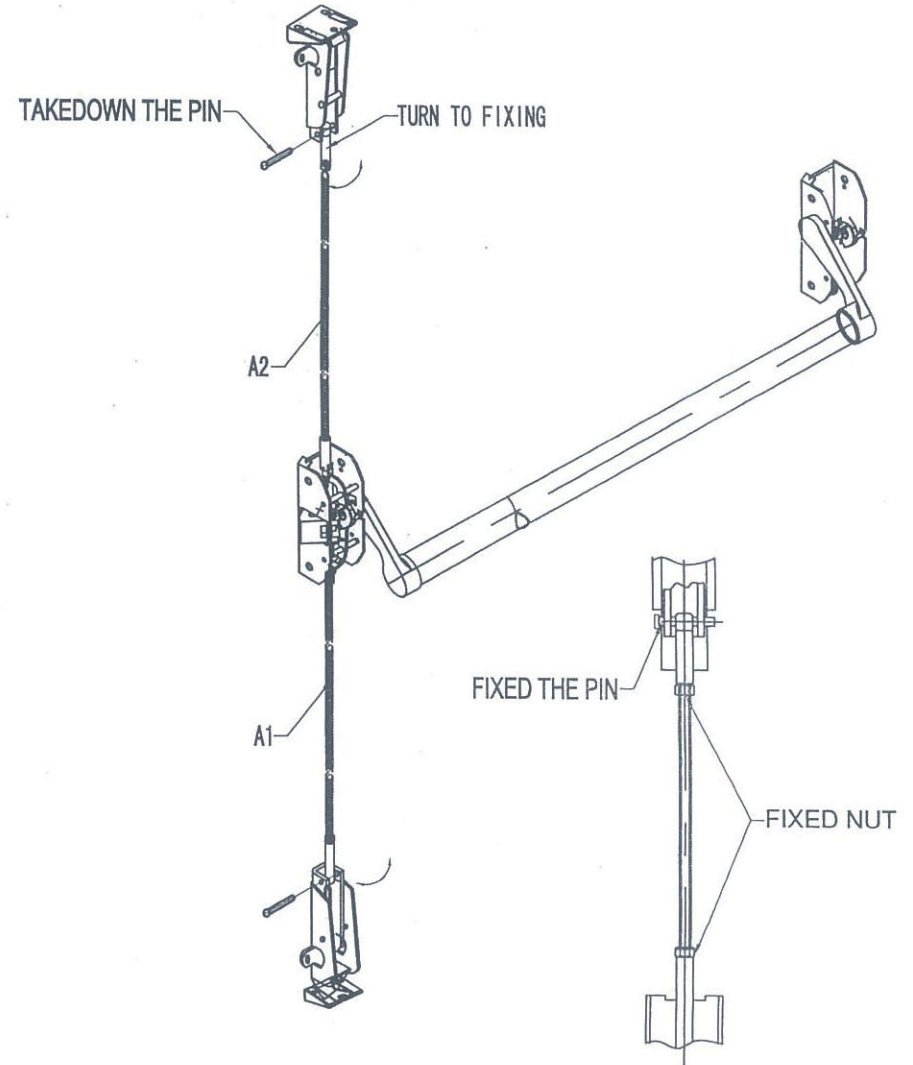
5) INSTALL TOP STRIKE AND BOTTOM STRIKES, AND THEN INSTALL PULLMAN LATCH BODIES TO ENSURE THAT THE LATCHBOLTS ENGAGE SECURELY TO THE STRIKE.



6) INSTALL TOP THREADED ROD INTO CONNECTOR PIECE ON TOP PULLMAN LATCH, HOLD THREADED ROD IN VERTICAL POSITION READY TO CONNECT WITH MAIN DEVICE.

THIS WILL ALLOW YOU TO MARK THE ROD GUIDES POSITIONS AND FIX INTO PLACE. NOW CONNECT MAIN THREADED ROD TO THE ROD CONNECTION ON THE DEVICE AND SCREW INTO PLACE USING FIXING NUT.

TEST THE UNIT TO ENSURE CORRECT OPERATION

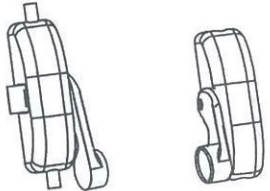

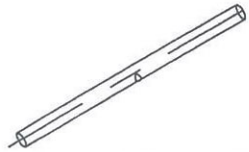
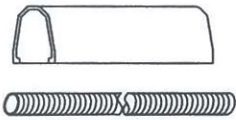
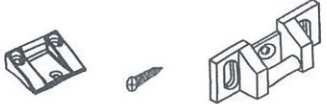



**PUSH BAR  
PULLMAN PANIC  
DEVICES**

# INSTALLATION INSTRUCTIONS

## 1. PARTS CHECK

- 1) MAKE SURE THE CORRECT DEVICE IS BEING USED.
- 2) MAKE SURE ALL NEEDED PARTS ARE ON HAND.

<p>1) DEVICE</p> 	<p>4) PULLMAN, 2 PCS</p> 
<p>2) PUSH BAR, 1 PCS</p> 	<p>5) SCRE ROD 2 PCS; COVER 2 PCS</p> 
<p>3) STRIKE WITH SCREW</p>  <p>STRIKE (2 PCS)    8#X25 (9 PCS)    STRIKE (1 PCS)</p>	<p>6) SCREW PACK A) MOUNTING BRACKET AND END CAP WITH 8#X25 SCREW(1 SET)</p> 

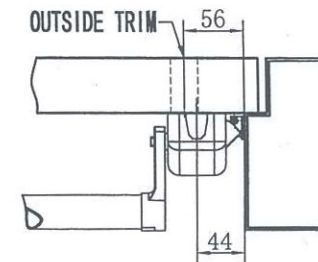
- 3) MAKE SURE OUTSIDE TRIM (IF BEING USED) HAS BEEN PROVIDED AND IS THE CORRECT HANDING.

## 2. DOOR LAYOUT

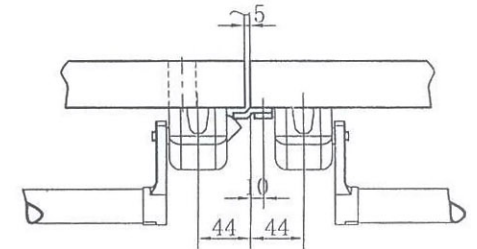
- 1) DOOR MUST BE FITTED AND HUNG PROPERLY BEFORE PROCEEDING.
- 2) MARK VERTICAL  $\mathcal{C}$  AND HORIZONTAL  $\mathcal{C}$  ON DOOR AND FRAME.

A) VERTICAL  $\mathcal{C}$  :

SINGLE DOOR APPLICATION



DOUBLE DOOR APPLICATION  
PUSH DEVICE x VERTICAL ROD



B) HORIZONTAL  $\mathcal{C}$  :

