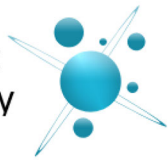


Earthtec 5 Gallon Portable Toilet



Stick-Resistant
Nano Technology



No Mess Rotating
Pour Spout

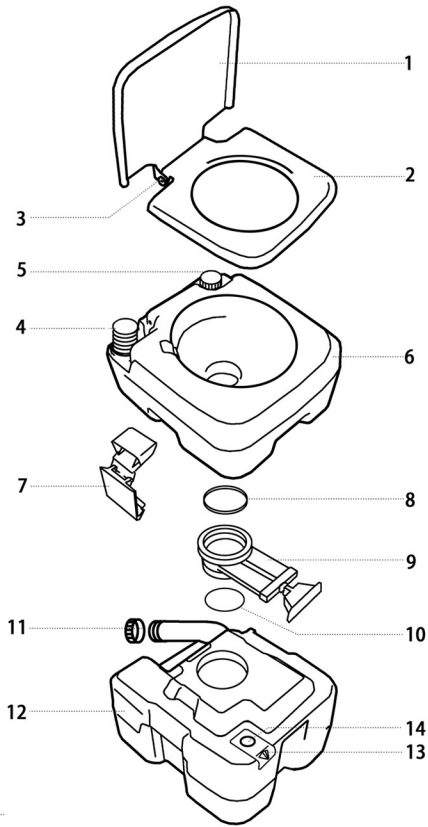


No Odor



Instruction Manual

Components



Serial Number	Model No.	Description
1	ET-T-009	Seat Cover
2	ET-T-010	Seat
3	ET-T-011	Hinge Pin
4	ET-T-019	Cap For Fresh Water Tank
5	ET-T-015	Bellows Pump
6	ET-T-012	Fresh Water Tank
7	ET-T-023	Cap of Waste Tank
8	ET-T-021	Latch
9	ET-T-001	Sealed Circle A
10	ET-T-022	Waste Tank
11	ET-T-24	Side Valve

Portable Toilet Size: 16.5 in. x 14.6 in. x 16.9 in.

Optional Accessories

Cleaning Supplies

Privacy Tent

EarthTec Non-Stick Recharge Kit

For Your Safety



- Place on smooth ground.
- Make sure the latches are locked.
- Weight capacity should not exceed 350 lbs.
- Do not lean on seat cover when in use.
- Make sure waste tank is assembled correctly.
- Do not disassemble the bellows pump.

Use and Operation

Opening Latch:



Pull latch starting at the top to unlock.

Closing Latch:



Securely lock the bottom part of the latch, then push latch into proper position.



Place top part of latch in place.

Step 1:

Adding Fresh Water:

- Remove cap from the top compartment to pour in fresh water.

Note: Do not add any cleaning agents. Use fresh water only.



For Your Safety: Do not add chemicals into the fresh water tank.

Step 2:

Open Seat Cover for Use

- Press the pump to transfer fresh water to the bowl. The capacity of the fresh water tank allows up to 50 flushes.



Step 3:

Pull Out the Slide Valve

Note: Change of air pressure and temperature may cause pressure in the waste tank compartment. Before using, press the exhaust valve button followed by pulling on the slide valve to avoid waste spill out.

- 1) Press the air relief valve button.
- 2) Pull the slide valve. Close slide valve after use.



Waste Disposal

- 1) Make sure the slide valve is closed.
- 2) Open the side latches, then remove the fresh water tank in an upright manner.
- 3) Take the waste tank compartment to a designated disposal area.
- 4) Rotate the spout away from the body of the toilet, then remove cap and easily pour it into a waste elimination route.
- 5) Press air relief valve button if necessary.



Storage

We recommend that you store your 5 Gallon Portable Toilet out of the sunlight and heat and occasionally lubricate the side valve with a lubricant such as Vaseline. Make sure all components are clean before storing.

Non-Stick Coating Reapplication

(Recharge Kit Sold Separately)

Exclusive to Earthtec's portable toilets, each toilet comes pre-treated with a stick-resistant nanotechnology polymer. This revolutionary advancement is designed so no waste will adhere to the bowl .

Before You Begin Reapplication:

- Make sure you are outdoors or in a well ventilated area away from heat or flame.
- Ideal application temperatures should be between 50°F and 90°F for proper drying.
- Do not apply while smoking.
- For your safety avoid spraying during windy conditions.
- Bowl surface should be clean and clear of debris and dirt.

The EarthTec Non-Stick Sanitation Recharge Kit is an easy two step process. Follow each step accordingly to achieve the non-stick coating.

Step 1: Bonding Agent Application

- 1) Shake the can vigorously for about a minute after the mixing ball begins to rattle. Shake the can often in between use.
- 2) Spray the bonding agent about 6-12 inches from the bowl surface. Spray two light passes avoiding soaking the surface. Continue shaking can between sprays.
- 3) Wait 30 minutes for the base coat to dry.

Step 2: Nanotechnology Anti-Stick Treatment

- 1) Shake the can vigorously for about a minute after the mixing ball begins to rattle. Shake the can often in between use.
- 2) Spray the anti-stick coat about 6-12 inches away from the bowl surface. Spray two light passes and continue to shake can in between sprays.
- 3) Avoid oversaturating the surface, for it may cause pooling of the treatment.
- 4) Wait about 1-2 minutes and spray two additional passes if desired while avoiding soaking the surface.

[Continue on next page](#)

Additional Instructions:

Dry Time: Wait at least 30 minutes before exposing it to water. For best results, allow the treatment to cure overnight or for about 12 hours.

Note: To prevent the cans from clogging, turn them upside down and press the spray nozzle until the spray appears clear. If clogging occurs, twist off the spray tip and rinse it using a solvent such as mineral turpentine. Wipe materials before storing.

Treated Surface Care:

- 1) The easiest way to clean the polymer treated area is to press the flush pump on the toilet as needed. Another method for cleaning the treated bowl is to use a low pressure water spray, such as a garden hose.
- 2) Do not scrub the treated surface or use abrasive cleaners, this cause a significant reduction in performance of the non-stick polymer.
- 3) The non-stick coating will lose it's properties if exposed to detergents, soap, oil, solvents, or high water pressure.